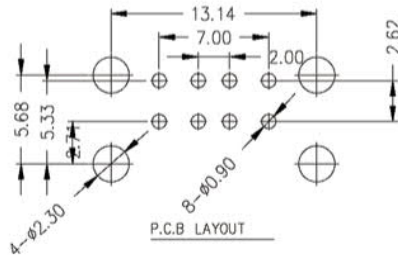
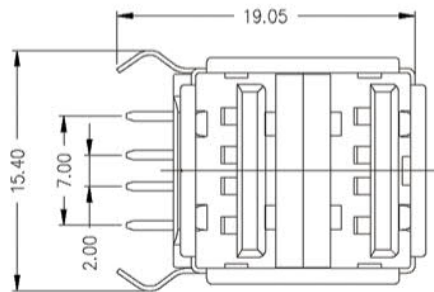
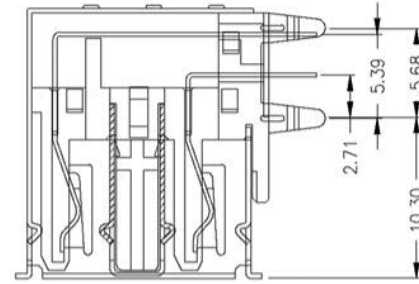
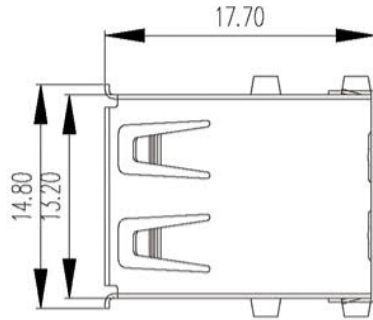
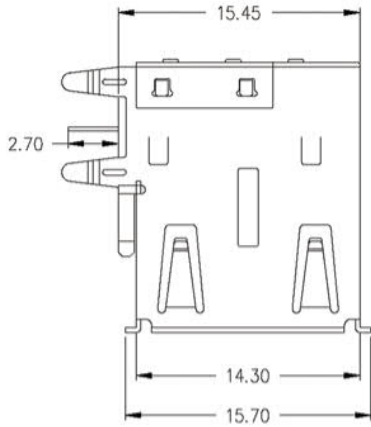


Kinghelm®

型号: KH-2AF90DIP-1715

REV.	DESCRIPTION	DATE
A	RELEASE	2013.8.15



特性 Specifications:

电气 Electrical:
接触电阻 Contact Resistance
30 milliohms MAX

绝缘电压 Dielectric Withstanding Voltage:
500 V AC AT Sea Level

绝缘电阻 Insulation Resistance:
1000 MEGA ohms MIN

材料: Material

1. 塑料: PBT UL 94V-0 黑色
2. 端子: Contact Copper Alloy C2680H
3. 壳体/外壳: Shell: Copper Alloy

电镀: Finish

1. 端子: Contact: Plated Gold in Mating (IU) Area
Tin On Solder Tails
镀层厚度 1U", 附焊锡
2. 壳体/外壳: Shell
Nickel plating 镀镍

深圳市金航标电子有限公司

WWW. BDS666. COM

KH-2AF90DIP-1715

0755-83044319

ITEM :

USB 双层A母有后盖有边弯脚

UNLESS TOLERANCE		DRAW BY	
GENERAL	ANGLE	DESIGN BY	
X. ± 0.38	X.° ± 3.0°	CHECK BY	
.X ± 0.30	.X" ± 2.0°	APPROVE BY	
.XX ± 0.25	.XX" ± 1.0°	SCALE	SHEET
.XXX ± 0.10	.XXX" ± 0.5°	1: 1	1/1
		UNIT	MM

DRW NO: 1120-204019

REV: A0