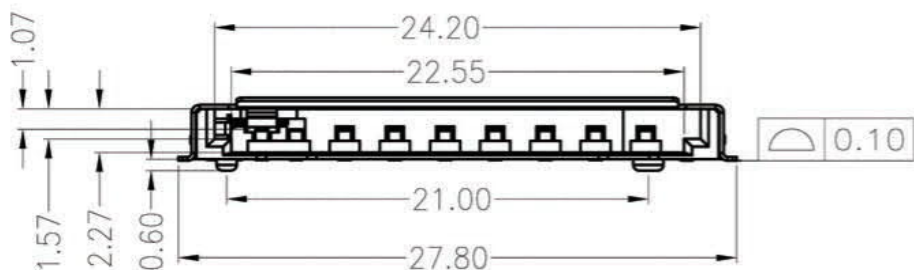
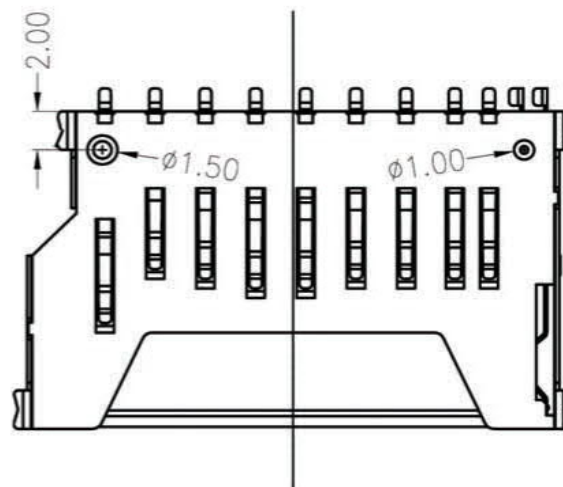
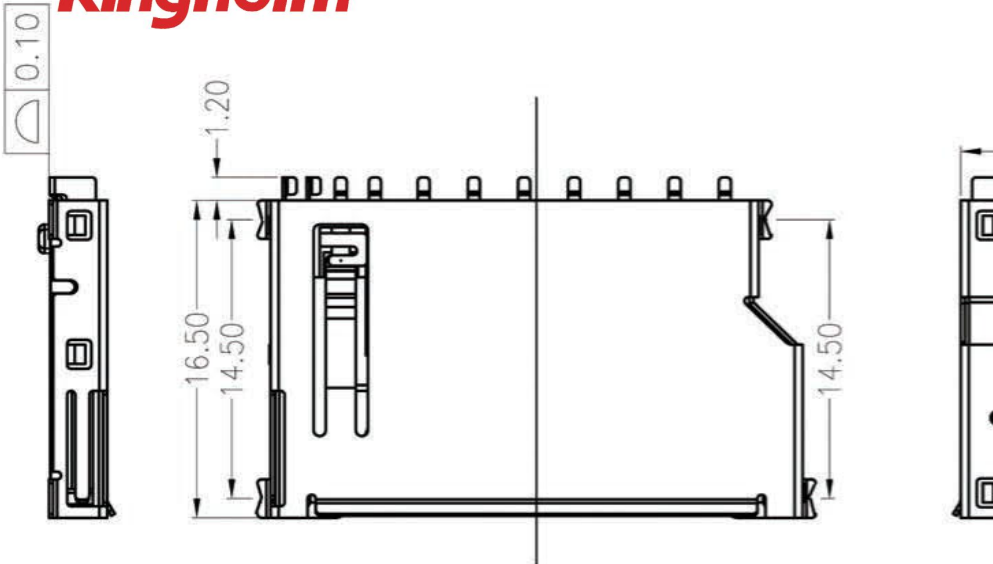


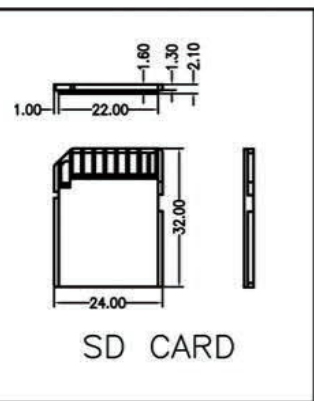
Kinghelm®

REV.	DESCRIPTION	APPD	DATE



NOTES:

- 1.MATERIAL:**
HOUSING: HIGH TEMPERATURE THERMOPLASTIC UL94V_0,COLOR:BLACK.
CONTACT: COPPER ALLOYS.
COVER: SPTe.
- 2.PLATING:**
UNDERPLATE: NICKEL.
CONTACT AREA: GOLD OVER NICKEL.
SOLDER AREA: TIN OVER NICKEL.
- 3.MULTIMEDIA CARD COMPATIBLE**



PART NO: SDDF1-EBS1-1301		MATERIAL:		深圳市金航标电子有限公司		WWW.BDS666.COM	
LOT NO: 1011110000		FINSH:		型号: KH-SD2816-B		0755-83044319	
UNIT: MM	SIZE: A4	COLOR:		TITLE: SD短卡 - 成品			
TOLERANCES: X.X=±0.15 X.XX=±0.05 X.XXX=±0.03		GENERAL ANGLE: X.X=±1.0° X.XX=±0.5°		DR: 杨凯 2011/03/31	DWG NO: FP-100090		REV: A/0
APP:		SCALE: 1:1		SHEET: 1 OF 1			