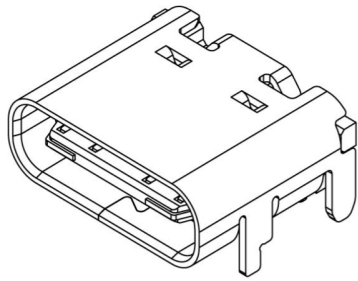


ROHS

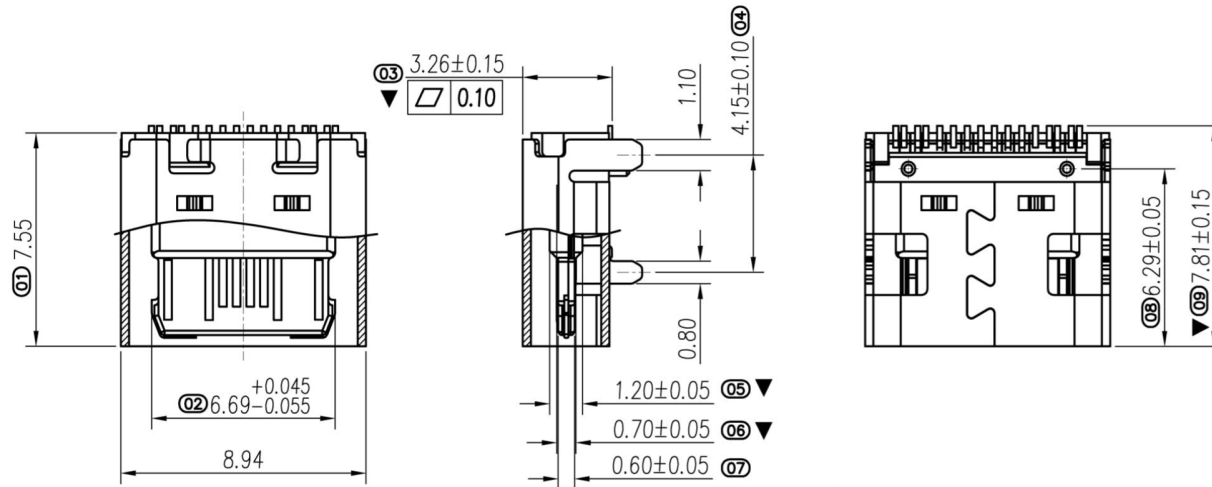
**Kinghelm®**



A1	GND	B12	GND
A4	VBUS	B9	VBUS
A5	CC1	B8	SBU2
A6	DP1	B7	DN2
A7	DN1	B6	DP2
A8	SBU1	B5	CC2
A9	VBUS	B4	VBUS
A12	GND	B1	GND
PIN	SIGNAL NAME	PIN	SIGNAL NAME

Specification:

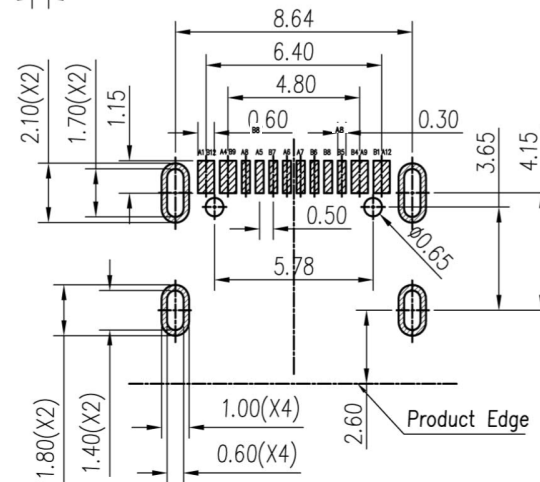
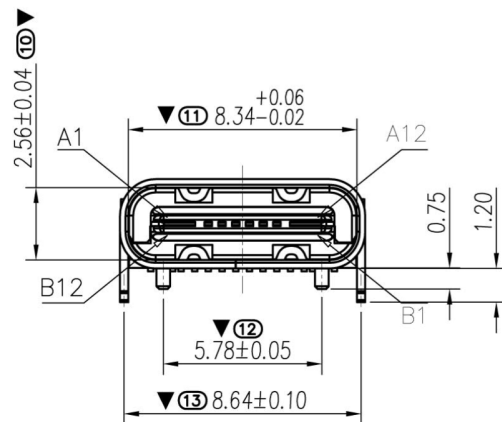
1. Electrical Characteristics:  
 Contact Current Rating: 3 Amperes Max.  
 Rated Voltage: 30V Max.  
 Dielectric Withstanding Voltage: AC 100V r.m.s.  
 Insulation Resistance: 100 MΩ Minimum.  
 Contact Resistance: 40 mΩ Maximum.
2. Environmental:  
 Operating Temperature: -40°C~+85°C.
3. Mechanical Characteristics:  
 Insertion Force: 5~20Nf.  
 Withdrawal Force: 6~20Nf.  
 Durability Cycles: 10000 Cycles.
4. **⊗** Make is FAI test Dimension  
 ▼ Make is major test Dimension



NO.	NAME	DESCRIPTION
3	CONTACT	COPPER ALLOY
2	INSULATOR	HIGH TEMPERATURE PLASTIC UL 94 V-0
1	SHELL	Stainless Steel

10 1 2 - 16 F \* \* \* 01 - \*

Q=亚镍	H= 全金 3u"	02= Black	R3= 透明热封带
G=全金	G= 全金 1u"		
N=亮镍			



RECOMMENDED P.C.B. LAYOUT  
 TOLERANCE UNSPECIFIED ±0.05mm

06/09-17	yang	DEW-DWG	A0
DATE	DR. BY	ECN. NO.	DESCRIPTION
-TOLERANCES- UNLESS OTHERWISE SPECIFIED		MARK	VER.
公差参考表		深圳市金航标电子有限公司 WWW.BDS666.COM	
		KH-TYPE-C-16P 0755-83044319	
		TITLE: USB TYPE C 16Pin 母头 单排 SMT 四脚插板 有柱	
X.	±0.30	X.XXX	±0.100
X.X	±0.25	X.X"	±3.00'
X.XX	±0.15	X.XX"	±1.00'
APPD:	PRODUCT NO: 1012-16F****01-**	DATE	SCALE
CHECK:	UNIT	TYPE	PAGE
DRAW:	2017.06.09	1:1	mm CD 1/1