

ROHS

Kinghelm®



A1	GND	B12	GND
A4	VBUS	B9	VBUS
A5	CC1	B8	SBU2
A6	DP1	B7	DN2
A7	DN1	B6	DP2
A8	SBU1	B5	CC2
A9	VBUS	B4	VBUS
A12	GND	B1	GND
PIN	SIGNAL NAME	PIN	SIGNAL NAME

Specification:

1. Electrical Characteristics:

Contact Current Rating: 3 Amperes Max.
 Rated Voltage: 30V Max.
 Dielectric Withstanding Voltage: AC 100V r.m.s.
 Insulation Resistance: 100 MΩ Minimum.
 Contact Resistance: 40 mΩ Maximum.

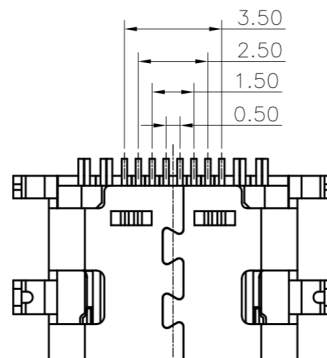
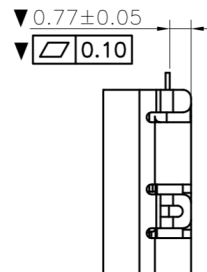
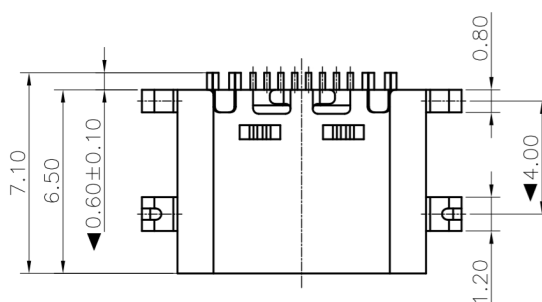
2. Environmental:

Operating Temperature: -40°C~+85°C.

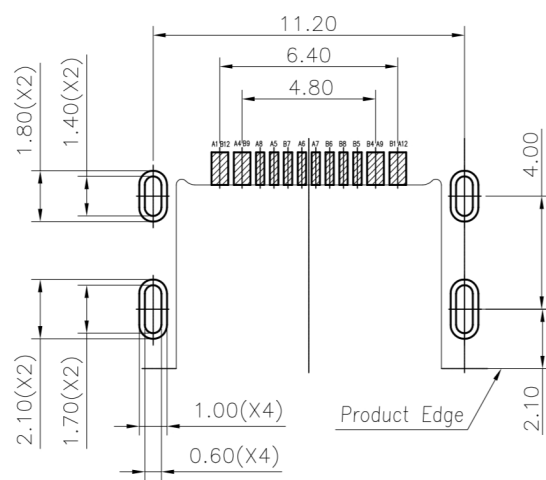
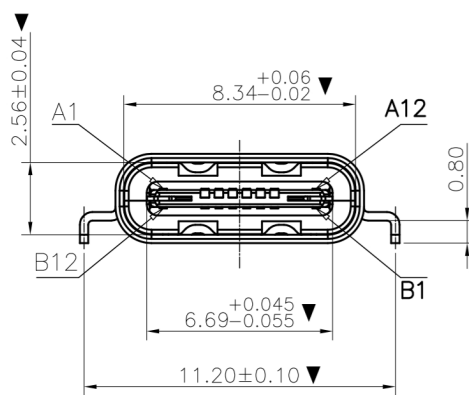
3. Mechanical Characteristics:

Insertion Force: 5~20Nf.
 Withdrawal Force: 6~20Nf.
 Durability Cycles: 10000 Cycles.

4. **⊗** Make is FAI test Dimension
 ▼ Make is major test Dimension



NO.	NAME	DESCRIPTION
3	CONTACT	COPPER ALLOY
2	INSULATOR	HIGH TEMPERATURE PLASTIC UL 94 V-0
1	SHELL	Stainless Steel



RECOMMENDED P.C.B. LAYOUT
 TOLERANCE UNSPECIFIED ±0.05mm

06/09-17	jack	NEW-DWG	1
DATE	DR.BY	ECN.NO.	DESCRIPTION MARK VER.
-TOLERANCES- UNLESS OTHERWISE SPECIFIED 公差参考表		深圳市金航标电子有限公司 型号: KH-TYPE-C-CB.W-16P	WWW.BDS666.COM 0755-83044319
X.	± 0.15	X.XXX ± 0.03	APPD: TITLE: USB TYPE C 16Pin 母头 单排 SMT 外壳壳体沉板0.8
X.X	± 0.10	X.X° ± 1.00°	PRODUCT NO: 1012-16FM05
X.XX	± 0.05	X.XX° ± 0.50°	DATE: 2017.06.09
		CHECK:	SCALE: 1:1
		DRAW:	UNIT: mm
			TYPE: CD
			PAGE: 1/1