

CUSTOMER DRAWING

Kinghelm®

HSF

Rev.	ECN No.	DESCRIPTION
A	ECN180502-001	NEW RELEASE
B	ECN180610-001	ADD "HSF"
C	ECN190517-001	增加电镀规格

Notes:

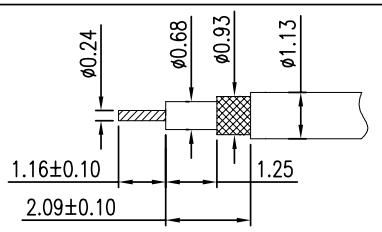
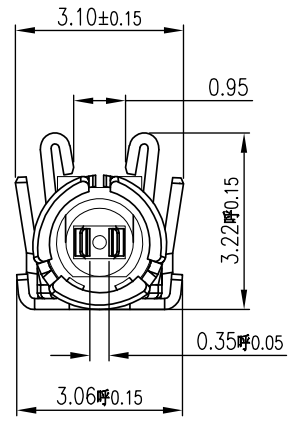
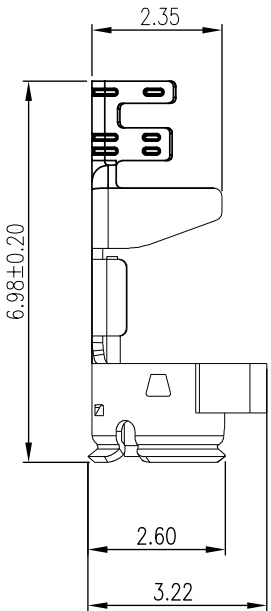
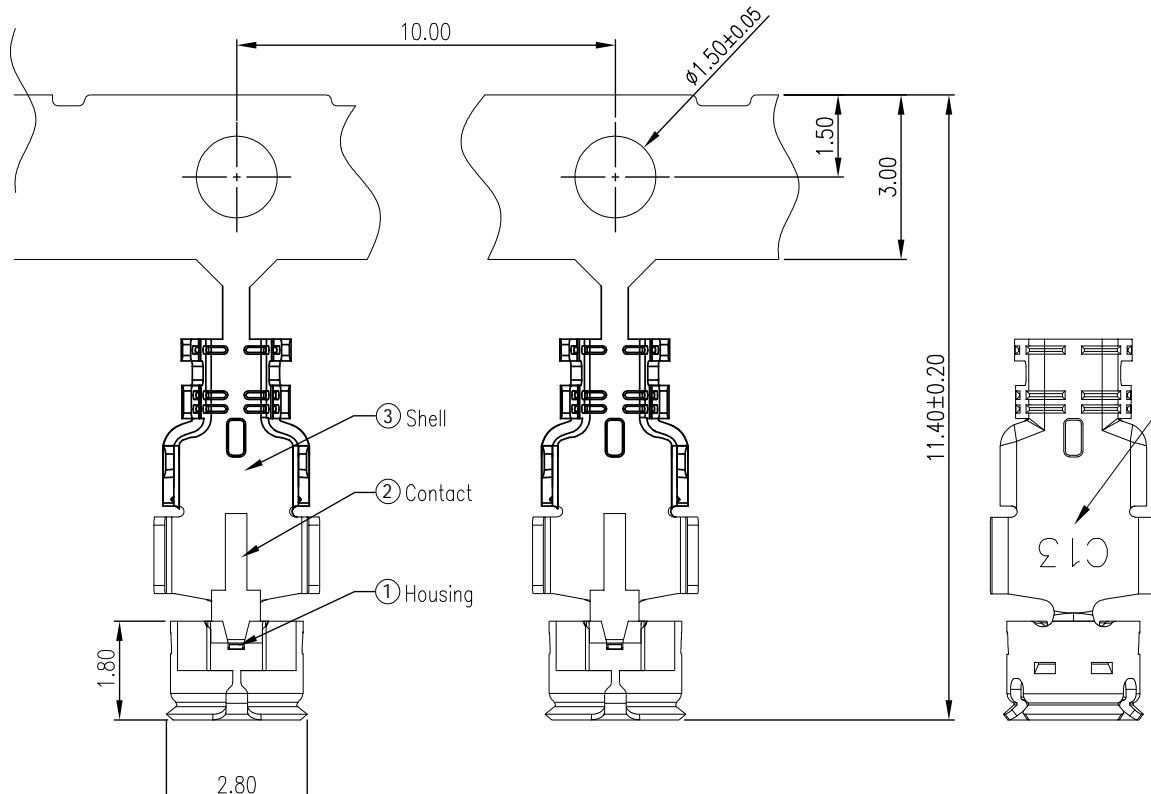
- 1: Material and finish(Plating)
 △Housing Thermoplastic (Black), UL94V-0.
 △Shell Phosphor bronze: Au over Ni
 △Contact Phosphor bronze: Au over Ni
- 2: Impedance: 50 OHM Nominal
- 3: Frequency Rating: DC TO 6 GHZ
- 4: VSWR: DC -- 3GHz 1.3max.
 3GHz -- 6GHz 1.5max.
- 5: Cable retention force 10N min.
- 6: The harmful material of this part should be compliance with CCT document QW-QA-10.

PRODUCT NUMBER ORDER

ANC Z 113 * - 1 B 1
 ① ② ③ ④ ⑤ ⑥ ⑦

- ① Production Code :
 ANC: ANTENNA PLUG for cable
- ② Height after mated broad end :
 Z : Special SPEC. CCT PATENTED
- ③ Match Cable Ø :
 113: Cable Ø 1.13mm
- ④ Shell Gold Plating Thickness :
 L: Plating Gold 0.5u" Min.
 1: Plating Gold 1.0u" Min.
 2: Plating Gold 2u" Min.
- ⑤ Product design generation:
 1: First generation.
- ⑥ Customer identification code:
 1: CUS is Another
 B: CCT shell mark "C13"
- ⑦ Color of Housing:
 1: Black

TOLERANCES UNLESS OTHERWISE SPECIFIED		深圳市金航标电子有限公司		WWW.BDS666.COM		
X.	±0.25	.XXX	±2°	KH-1PEX-1.13		0755-83044319
.X	±0.20	X.°	±1°	SERIES: RF CABLE PLUG CONN.		TITLE: RF1代 PLUG 1.13 C TYPE
.XX	±0.15	.X°	±0.5°	APPD: 贺骏驹 2019/05/17		PART No.: ANCZ113x-1B1
THESE DRAWINGS AND SPECIFICATIONS ARE THE PROPERTY OF KUNSHAN COCENTRA ELECTRONICS CO.,LTD. AND SHALL NOT BE REPRODUCED, COPIED OR USED IN ANY MANNER WITHOUT THE PRIOR WRITTEN CONSENT OF COCENTRA PRECISION TECHNOLOGY (JIANGSU) Co. LTD.				CKD: 赖积任 2019/05/17		DWG No.:
				DR: 张松强 2019/05/17		307-0000-0177
UNITS		MAT'L		FINISH	SCALE	SHEET
MM		△		NA	1:1	1/1
						REV.
						C



Mark

建议剥线参考尺寸