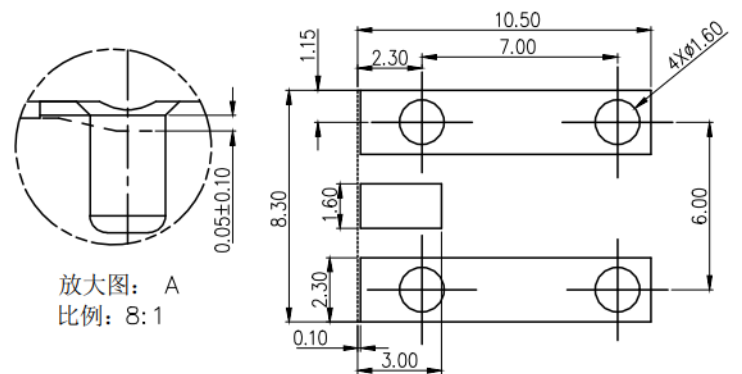
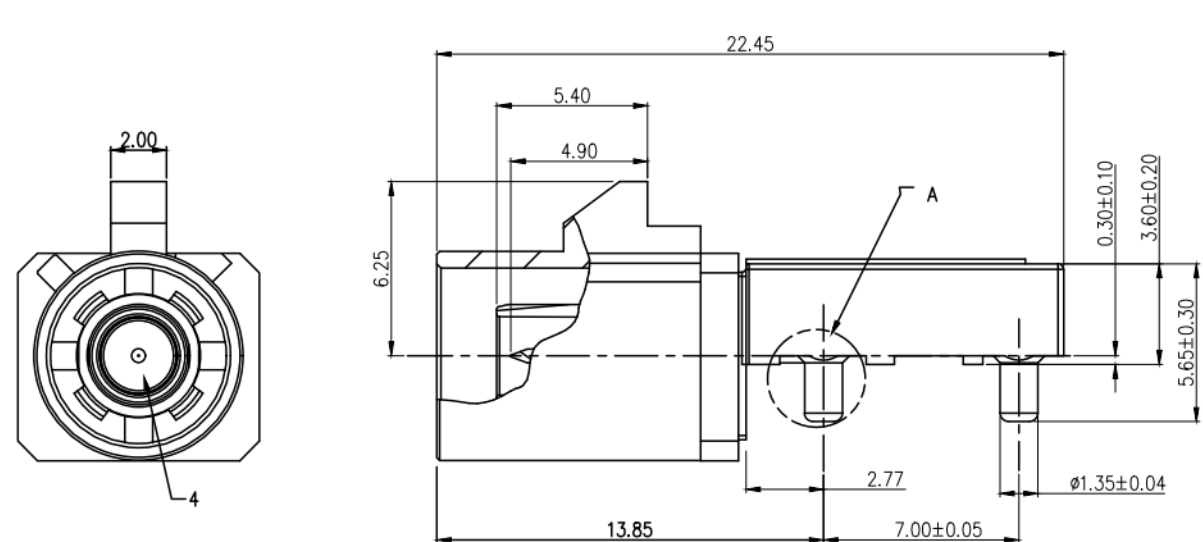


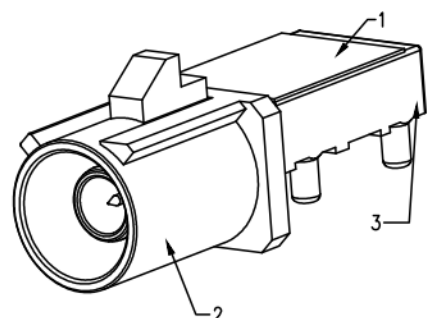
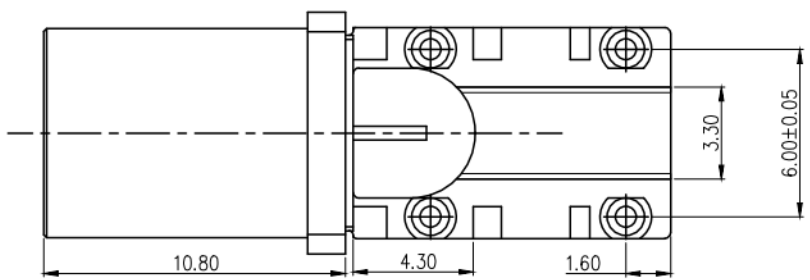
MARK	DATE	DESCRIPTION	DESIGN
A	2020.05.06	PROPOSAL	CHEN

Kinghelm®



放大图: A
比例: 8:1

- PART NO. LEGEND: PCB ALL TOLERANCE ± 0.05
7.03A0 .000 8 9 X
TYPE
CONTACT AREA PLATING SPEC: GOLD PLATING: 8=30u"
SOLDER AREA PLATING SPEC: Tin PLATING: 8=80u"
- PERFORMANCE:
 - CONTACT RESISTANCE: INITIAL VALUE 50mOHM Max,
 - FREQUENCY RANGE: DC to 6GHz
 - VSWR: 0-6GHz 1.60Max
 - VOLTAGE RATING: 50V (AC/DC).
 - CURRENT RATING: 1A/PIN.
 - INSULATION RESISTANCE: 100MOHM Min.
 - MATING CYCLES: 25 TIMES Min.
 - OPERATING TEMPERATURE: $-40^{\circ}\text{C} \sim +105^{\circ}\text{C}$



4	MOLDING	THERMOPLASTIC+BRASS	BLACK+PLATING GOLD	1
3	BODY	ZINC ALLOY	PLATING Sn	1
2	HOUSING	THERMOPLASTIC UL94V-0	ACCORDANCE WITH THE REQUIREMENTS	1
1	MAYLAR	KAPTON		1
NO.	COMPONENTS	MATERIALS	FINISH/COLOR SPECIFICATION	QUANTITY

深圳市金航标电子有限公司		www.kinghelm.com.cn			
KH-FAKRA-I-CB		0755-28190160			

UNLESS OTHERWISE SPECIFIED TOLERANCE			
ANG	TOL	DIM	TOL
.X	$\pm 3.0^{\circ}$.X	± 0.30
.XX	$\pm 2.0^{\circ}$.XX	± 0.20
.XXX	$\pm 1.0^{\circ}$.XXX	± 0.10

APPROVED	VERIFIED	DRAWING NO	PART NAME: FAKRA LOW PROFILE CONNECTOR CUSTOMER DRAWING				
		7.03A0-C	PART NO. 7.03A0.00089X				
CHEN		DESIGN	DATE	UNITS	SCALE	PAGE	REV
			2020.05.06	mm	4:1	1/2	A

NOTE: ALL RIGHTS RESERVED, BANNED COPY!

1 2 3 4 5 6 7 8 9 10 11 12

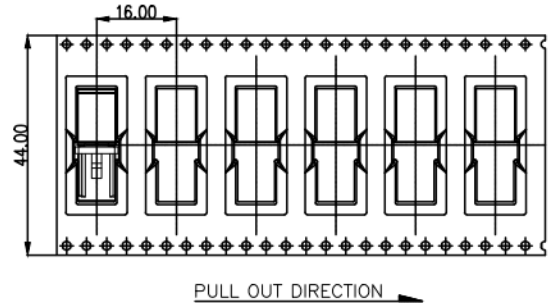
DRAWING TYPE

CUSTOMER DRAWING

MARK	DATE	DESCRIPTION	DESIGN
A	2020.05.06	PROPOSAL	CHEN

Kinghelm®

KH-FAKRA-A-CB	KH-FAKRA-B-CB	KH-FAKRA-C-CB	KH-FAKRA-D-CB	KH-FAKRA-E-CB	KH-FAKRA-F-CB	KH-FAKRA-G-CB	KH-FAKRA-H-CB	KH-FAKRA-I-CB	KH-FAKRA-K-CB
KH-FAKRA-L-CB	KH-FAKRA-M-CB	KH-FAKRA-N-CB	KH-FAKRA-Z-CB						



NOTE:
1.PER REEL: 400PCS

NOTE: ALL RIGHTS RESERVED,BANNED COPY!

UNLESS OTHERWISE SPECIFIED TOLERANCE			
ANG	TOL	DIM	TOL
.X	±3.0°	.X	±0.30
.XX	±2.0°	.XX	±0.20
.XXX	±1.0°	.XXX	±0.10

深圳市金航标电子有限公司			www.kinghelm.com.cn		
KH-FAKRA-I-CB			0755-28190160		
	DRAWING NO		PART NAME:		FAKRA LOW PROFILE CONNECTOR
	7.03A0-C		CUSTOMER DRAWING		
	DESIGN		PART NO.		7.03A0.00089X
	CHEN		DATE		2020.05.06
APPROVED	VERIFIED	SCALE	PAGE	REV	
		4:1	2/2	A	

1 2 3 4 5 6 7 8 9 10 11 12 QP-04-33-B

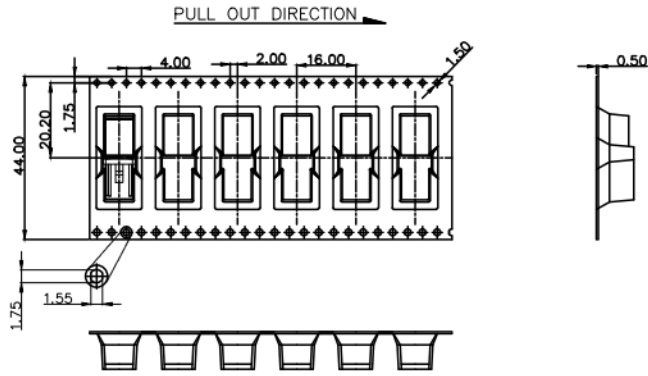
DRAWING TYPE PACKAGE DRAWING

Kinghelm®

MARK	DATE	DESCRIPTION	DESIGN
A	2020.05.06	PROPOSAL	CHEN

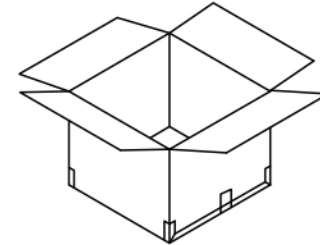
NOTES:

- MATERIAL:
 - CARRY TAPE:HIPS,T=0.50±0.05mm,BLACK
 - REEL:HIPS,
 - SHIM:PE,CLEAR.
- PRIMARY PACKING:400PCS/REEL.
- SECONDARY PACKING:SEE PACKING LIST
- PEELING RESISTANCE: 0.2~1.2N(20~120gf); PEELING ANGLE: 165°~180°; PEELING SPEED: 300mm/minutes.



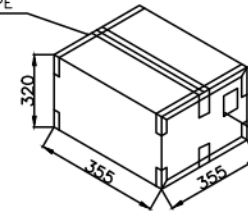
PER REEL with PE Bag

TOTAL 6 LAYERS

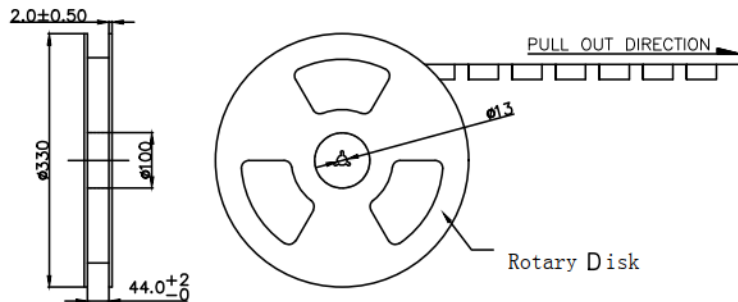


6 REEL PER CARTON
Total 2400 PCS

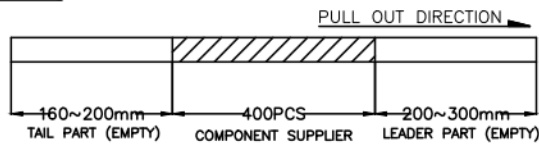
TRANSPARENT GULE TAPE



SIDE LABEL



Rotary Disk



NOTE: ALL RIGHTS RESERVED,BANNED COPY!

UNLESS OTHERWISE SPECIFIED TOLERANCE			
ANG	TOL	DIM	TOL
.X	±3.0°	.X	±0.20
.XX	±2.0°	.XX	±0.10
.XXX	±1.0°	.XXX	±0.05

深圳市金航标电子有限公司				www.kinghelm.com.cn			
KH-FAKRA-I-CB				0755-28190160			
DRAWING NO 7.03A0-P		PART NAME: FAKRA LOW PROFILE CONNECTOR PACKING DRAWING		PART NO. 7.03A0.00089X		DATE 2020.05.06	
APPROVED	VERIFIED	DESIGN CHEN	UNITS mm	SCALE 1:1	PAGE 1/1	REV A	