

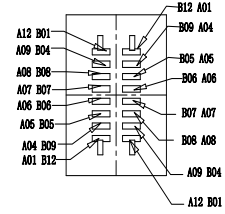
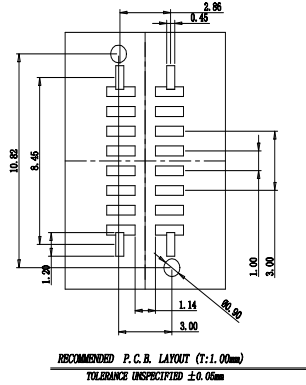
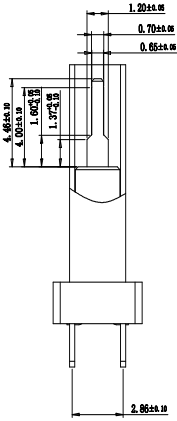
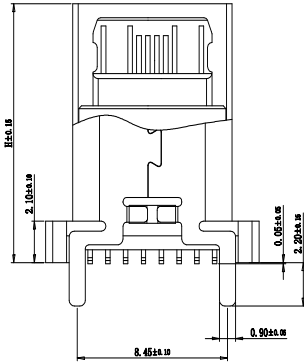
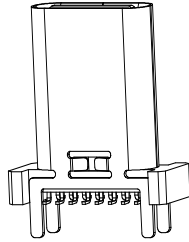
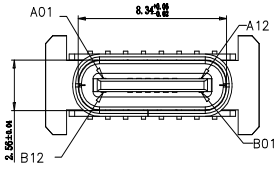
Kinghelm®



REV.	ZONE	DESCRIPTION	DESIGN	DATE
B				

SPECIFICATIONS:

1. ELECTRICAL CHARACTERISTICS:
 - 1-1. CONTACT RESISTANCE: 30m MAX. Ω
 - 1-2. DIELECTRIC WITHSTANDING VOLTAGE: 100V AC FOR ONE MINUTE.
 - 1-3. INSULATION RESISTANCE: 100M MIN. MEASURED BY 500 VDC
2. MECHANICAL CHARACTERISTICS:
 - 2-1. INSERTION FORCE :0.5-2.0kgf (REF.)
 - 2-2. WITHDRAWAL FORCE :0.8-2.0kgf (REF.)
3. LIFE TEST: 10,000 CYCLES.



RECOMMENDED P.C.B. LAYOUT (T:1.00mm)
TOLERANCE UNSPECIFIED $\pm 0.05mm$

H= MM							
9.30	10.00	10.50	12.40	13.10	13.70	15.00	17.50

NO.	DESCRIPTION	MATERIAL	REMARKS	QTY
6	SHELL	STAINLESS STEEL	Ni Plated	1PCS
5	SHIELDING PLATE	STAINLESS STEEL	---	1PCS
4	MD	HIGH TEMPERATURE PLASTIC	BLACK	1PCS
3	CONTACT	COPPER ALLOY	Au/Ni Plated	1SET
2	CONTACT	COPPER ALLOY	Au/Ni Plated	1SET
1	HOUSING	HIGH TEMPERATURE PLASTIC	BLACK	1PCS

X.	± 0.50	X.*	$\pm 2'$	UNITS	深圳市金航标电子有限公司 WWW.BDS666.COM	KH-TYPE-C-L13.7-16P-STM	0755-83044319						
.X	± 0.30	.X*	$\pm 1'$	mm									
.XX	± 0.10	.XX*	$\pm 0.5'$	MATL									
.XXX	± 0.05				TITLE: TYPE-C 16PIN 180度立式贴片SMT母座								
<small>THESE DRAWINGS AND SPECIFICATIONS ARE THE PROPERTY OF SHENZHEN CHANGHUI TECHNOLOGY CO.,LTD. AND SHALL NOT BE REPRODUCED, COPIED OR USED IN ANY MANNER WITHOUT THE PRIOR WRITTEN CONSENT OF SHENZHEN CHANGHUI TECHNOLOGY CO.,LTD</small>					APPD:	DWG NO.:							
					CHKD:	CY-JTP5-16PC-LAM							
					DR:	<table border="1"> <tr> <td>SCALE</td> <td>SHEET</td> <td>REV.</td> </tr> <tr> <td>1/1</td> <td>1/1</td> <td>A1</td> </tr> </table>		SCALE	SHEET	REV.	1/1	1/1	A1
SCALE	SHEET	REV.											
1/1	1/1	A1											

A1	GD	B12	GD
A4	YS	B9	YS
A5	CC	B8	SR
A6	EP	B7	WC
A7	DX	B6	WP
A8	SR	B5	CC
A9	YS	B4	YS
A12	GD	B1	GD
FIN	SIGNAL	FIN	SIGNAL

