

Kinghelm®

REV.	DESCRIPTION	NAME	DATE
A	NEWS ISSUE		2017. 12. 02
B	Change frame		2025. 03. 19

NOTES:

1. MATERIAL:

HOUSING: LCP, BK, UL 94V-0

SHELL: SPCC/BRASS

TERMINAL: BRASS

2. CONTACT PLATING:

NICKEL UNDERPLATING OVER ALL

GOLD PLATING AT CONTACT AREA

TIN AT SOLDERING AREA

SHELL PLATING: NICKEL 50U"MIN

3. ELECTRICAL:

INSULATION RESISTANCE: 100MΩ MIN

CONTACT RESISTANCE: 30mΩ MAX

DIELECTRIC WITHSTANCE: 500 VAC FOR 1Min

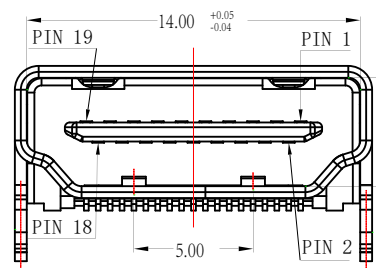
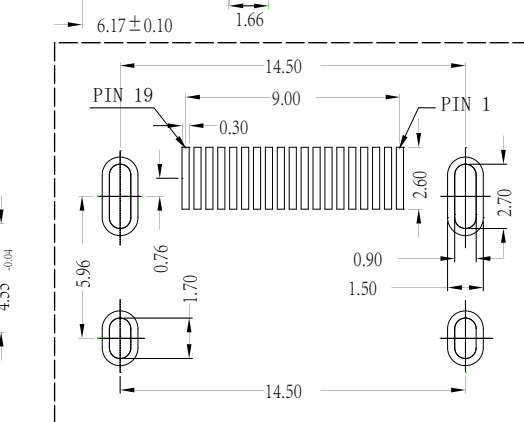
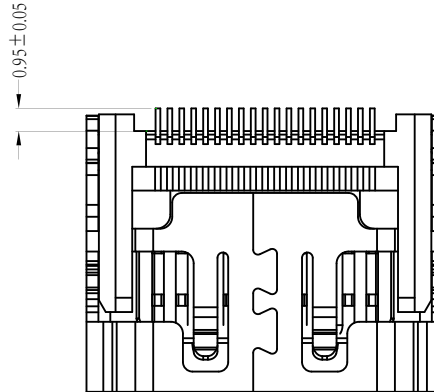
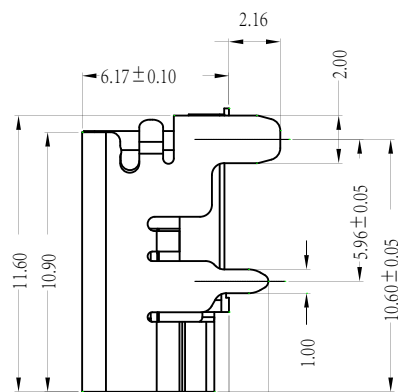
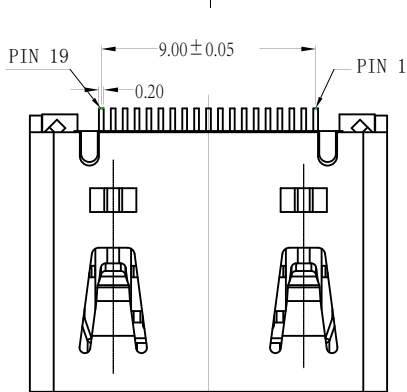
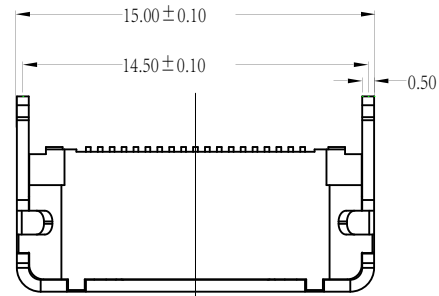
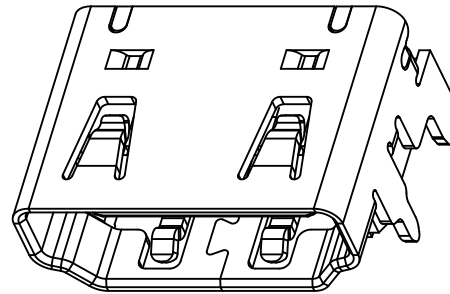
CURRENT RATING: 0.5A

VOLTAGE RATING: 40V

4. MECHANICAL:

INSERTION FORCE: 4.5 KFG MAX

WITHDRAWAL FORCE: 1.0~4.0 KGF

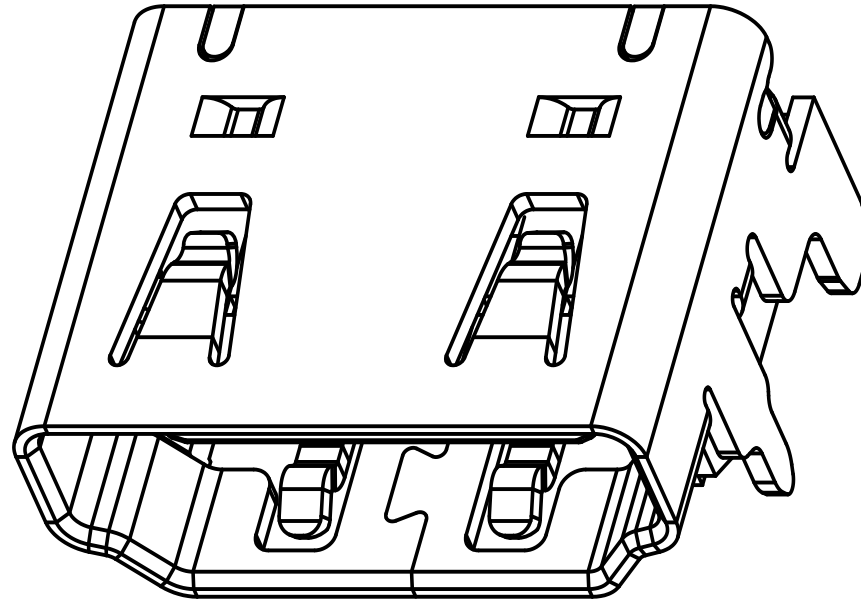


RECOMMENDED P.C.B HOLE LAYOUT
COMPONENT SIDE VIEW (TOLERANCE: +/-0.05)

TOLERANCE UNSPECIFIED		深圳市金航标电子有限公司		www.kinghelm.com.cn	
.0	±0.35	KH-HDMI-19P-Cu		0755-28190160	
.00	±0.25	TITLE: HDMI A TYPE (普通款)		脚无凸点	
.000	±0.15	板上-成品图			
X.°	±1.00°	SIZE: A4	UNIT: mm.	PART. NO:	
ASSEMBLY DRAWING		DATE	2025/03/19	SCALE: 1:1	PROJECTION
DRAWN		DATE	2025/03/19	DWG	PATH
CHECKED		DATE	2025/03/19	A-HA00010	
APPROVED		DATE	2025/03/19	REV.: B	
				PATH 1/2	

Kinghelm®

REV.	DESCRIPTION	NAME	DATE
A	NEWS ISSUE		2017. 12. 02
B	Change frame		2025. 3. 19



脚无凸点

TOLERANCE UNSPECIFIED		深圳市金航标电子有限公司		www.kinghelm.com.cn	
.0	±0.35	KH-HDMI-19P-Cu		0755-28190160	
.00	±0.25	TITLE: HDMI A TYPE(普通款)			
.000	±0.15	板上-成品图			
X.°	±1.00°	脚无凸点			
ASSEMBLY DRAWING		SIZE:A4	UNIT:mm.	PART. NO:	
DRAWN DATE	2025/03/19	SCALE: 1:1	PROJECTION	REV.: B	
CHECKED DATE	2025/03/19	DWG PATH	A-HA00010	PATH 2/2	
APPROVED DATE	2025/03/19				